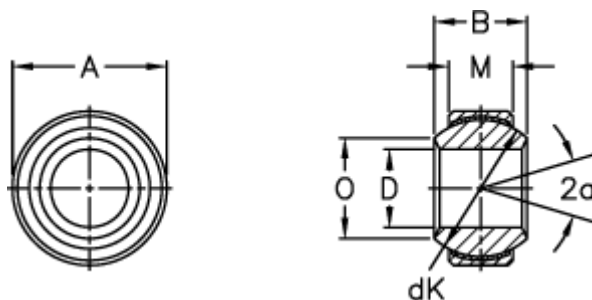


Article number: 03508200

Description: Fluro Rod end GE 200FW-2RS

Measures



A = 320 0 -0,040

B = 165

D = 200 0 -0,030

dK = 275

Dynamic load C (kN) = 4400

M = 100

O = 220

Static load C0 (kN) = 8800

Tilt angle = 15

Weight = 44700